

ADA PUSH BUTTON

An ADA push button is a device that automatically opens a door for people with disabilities.

There are many different types of ADA buttons, such as touchless buttons, push buttons, and column push plates. ADA push buttons are important because they help people with disabilities access businesses and public areas.

It can be used for the handicap automatic doors to facilitate access or exit in / from public areas.



DESCRIPTION

ADA Push Button press disabled mark special switch, professional design, no mechanical failure; Half a million times tested for durability. Multi-contact output, suitable for different types of access control requirements.

It is specially designed for people in need, large size design, 360° pressing without dead Angle, easy operation to open the door.

MAIN FEATURES

- Disabled mark
- Dual LED indicator: Red as Standby and Green as Operation
- Adjustable LED operation mode for the reactions of LED
- Mode A: Red when standby, Green when action
- Mode B: Green when standby, Red when action
- Long lifespan 500,000 MTBF tested

SPECIFICATIONS

Input voltage: 12 to 24 VDC/AC

Current: $12V \leq 120mA$

Output contact: NO, NC, COM

Contact rating: 2A / 30VDC

Operating Temperature: $-20^{\circ}C \sim +50^{\circ}C$

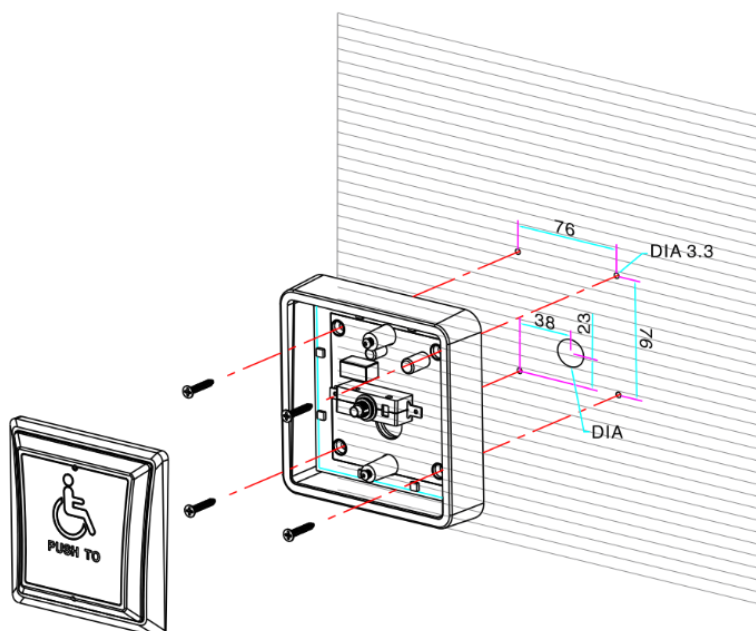
Operating humidity: 0~95%RH

Dimensions (H x W x D): 133mm x 133mm x 45mm

PRODUCT WARRANTY

3-Years Limited Product Warranty

Part Number: APB-1



All data contained herein subject to change without notice

vimberrry
www.Vimberrry.com

ABOUT VIMBERRY SECURITY SOLUTIONS

Vimberrry Security Products markets high-quality security products via its worldwide offices and channel partners. Vimberrry has offered high-quality systems for enterprise, small business, and residential applications. Our expansive product range features much more than access control and video surveillance solutions; we also offer applications software, Time & Attendance and alarm integration.